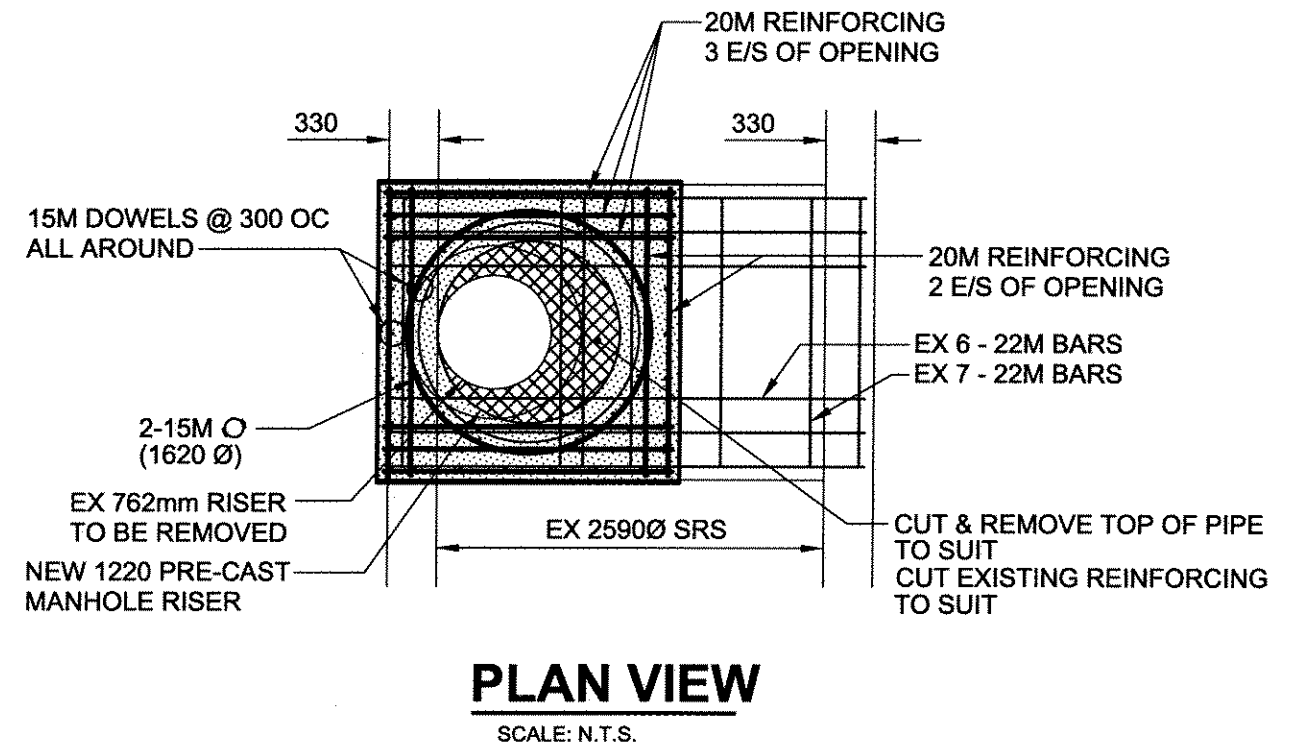
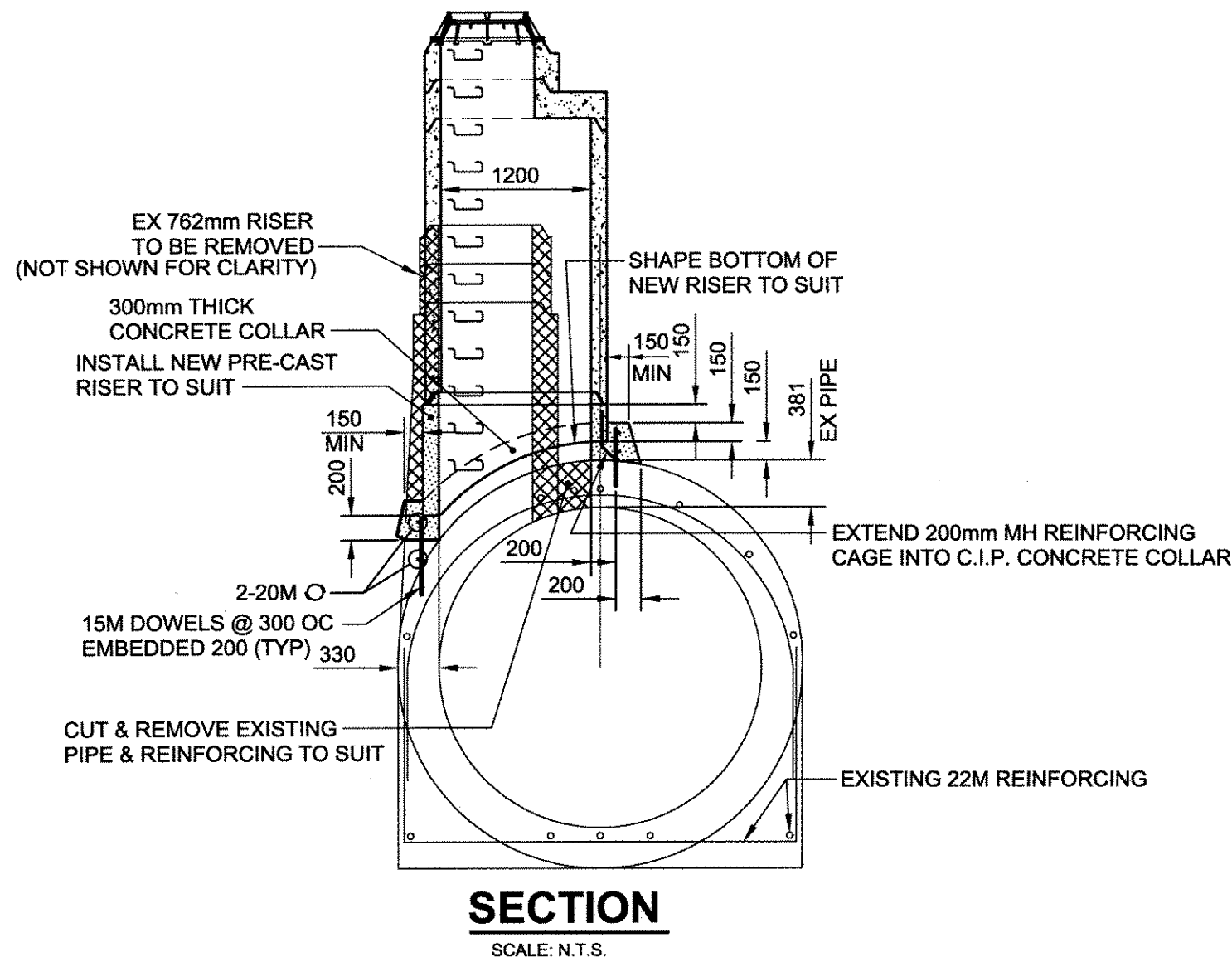


B SIZE 11" x 17" (279mm x 432mm)

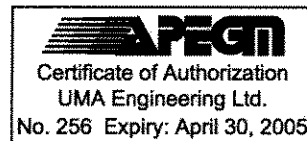
UMA FILE NAME: D265-107-03_34-C-1006_RX.DWG 2004-06-24 09:28am ADL



NOTE:
REFER TO DRAWING SK-01 FOR
REINFORCING LAPS &
DOWEL TABLES

METRIC

WHOLE NUMBERS INDICATE MILLIMETRES
DECIMALIZED NUMBERS INDICATE METRES



BID OPPORTUNITY NO. 265-2004

LOCATION APPROVED
UNDERGROUND STRUCTURES

SUPR. U/G STRUCTURES COMMITTEE DATE
NOTE:
LOCATION OF UNDERGROUND STRUCTURES AS SHOWN ARE BASED ON THE BEST INFORMATION AVAILABLE. BUT NO GUARANTEE IS GIVEN THAT ALL EXISTING UTILITIES ARE SHOWN OR THAT THE GIVEN LOCATIONS ARE EXACT. CONFIRMATION OF EXISTENCE AND EXACT LOCATION OF ALL SERVICES MUST BE OBTAINED FROM THE INDIVIDUAL UTILITIES BEFORE PROCEEDING WITH CONSTRUCTION.

NO.	REVISIONS	YY/MM/DD	BY

uma www.umagroup.com	
2004 UMA ENGINEERING LTD. ALL RIGHTS RESERVED.	
DESIGNED BY CCM/FMI	CHECKED BY <i>[Signature]</i>
DRAWN BY ADL/WJd	APPROVED BY <i>[Signature]</i>
HOR. SCALE N.T.S.	RELEASED FOR CONSTRUCTION
VERT. SCALE	DATE
DATE 04/06/24	DATE

PROFESSIONAL'S SEAL
PROVINCE OF MANITOBA
REGISTERED PROFESSIONAL ENGINEER
A. NAGY
June 24/2005
CONSULTANT DRAWING NO. 01
D265-107-03

THE CITY OF WINNIPEG
WATER AND WASTE DEPARTMENT

2004 COMBINED SEWER RENEWALS
CONTRACT 34
SEWER LINING
BURNELL STREET MANHOLE INSTALLATION

MH I.D. 26020

SHEET 1 OF 1	REV 0
CITY DRAWING NUMBER	SK-02